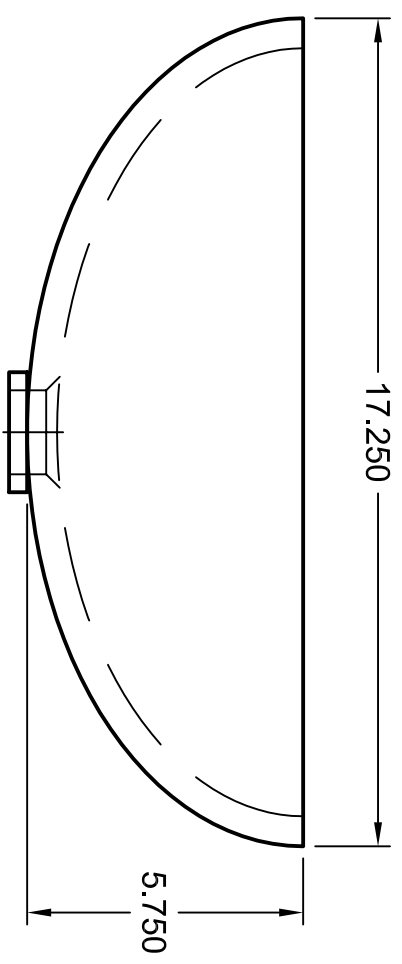
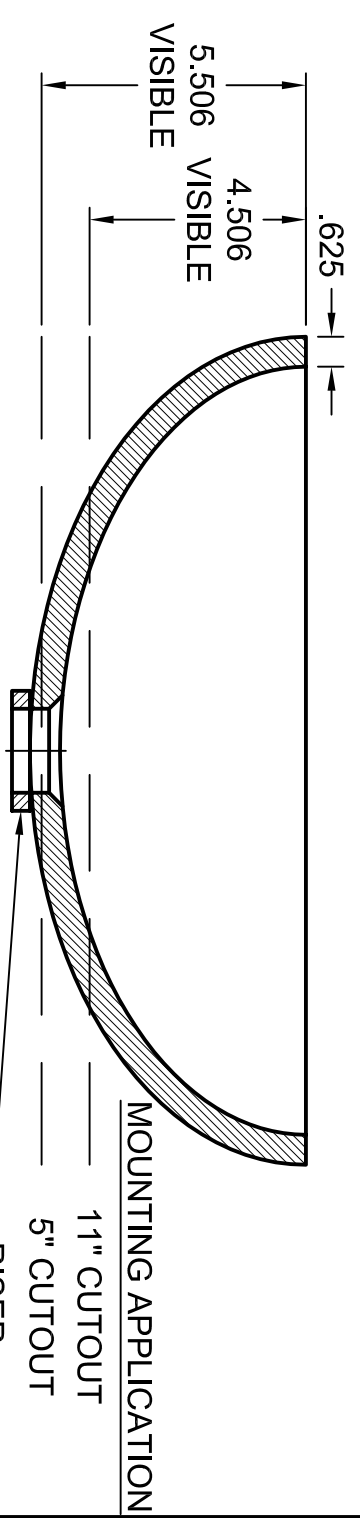
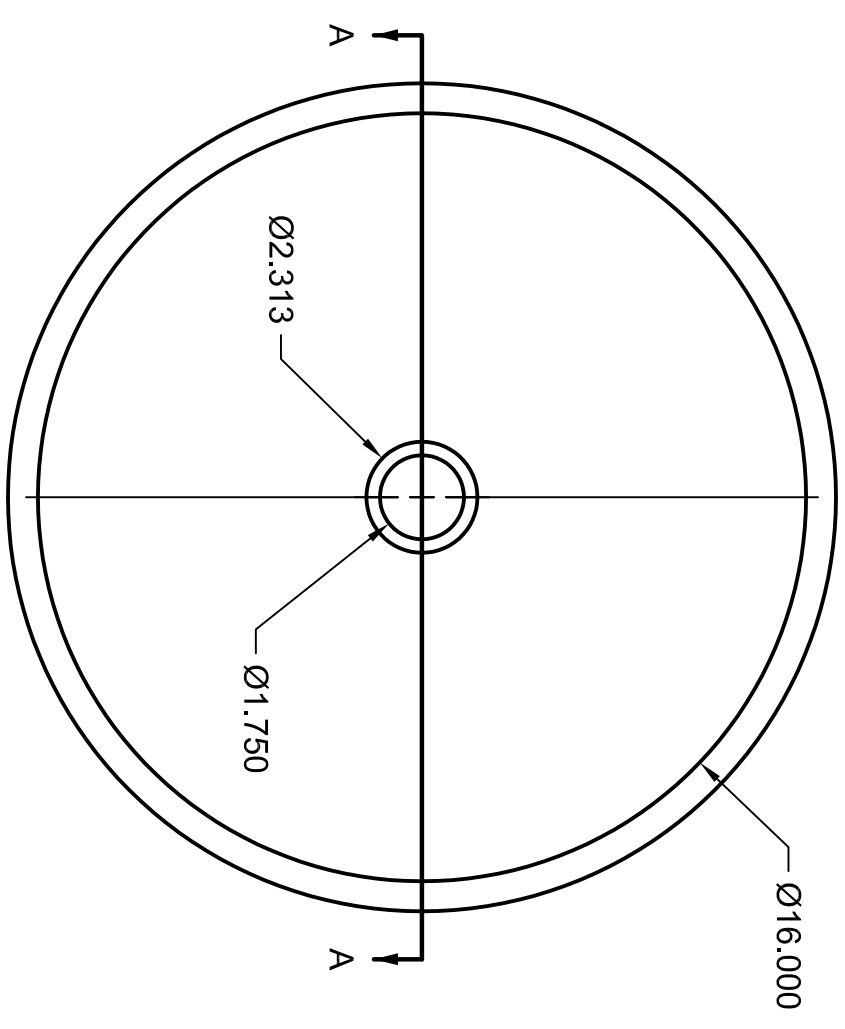


REVISIONS			
REV	DESCRIPTION	DATE	APPROVED



- NOTE:**
1. INTERPRET ALL DIMENSIONS ACCORDING TO ASME Y14.5M-1994 DRAWING STANDARDS.
 2. ALL DIMENSIONS ARE IN INCHES UNLESS OTHERWISE NOTED.
 3. UNLESS OTHERWISE NOTED BREAK SHARP EDGES .015.
 4. MATERIAL IS TEMPERED GLASS.



DETAIL A-A

DD-334	1	RISER	Ø2.5X3/8	ALLOY
DD-01	1	VESSEL	Ø17.25X5.75	TMPRD GLASS
PT #	QNTY	DESCRP	SPEC	MATERIAL

BILL OF MATERIAL



UNLESS OTHERWISE NOTED
BREAK SHARP EDGES .015
STAMP DWG. NUMBER ON
ALL PARTS.
TOLERANCES: .xxx ±.125
ANGLES: ±.5°

DESIGNED	MONIERNEY	TITLE:
DETAILED		VESSEL DD-01
TRACED		SCALE: 1:4
CHECKED		DEROSE DESIGNS
APPROVED		CAD FILE: DD-01.dwg
ISSUED	07/14/2005	DWG. NO: 14072005-DD-01
		DATE: 07-14-2005