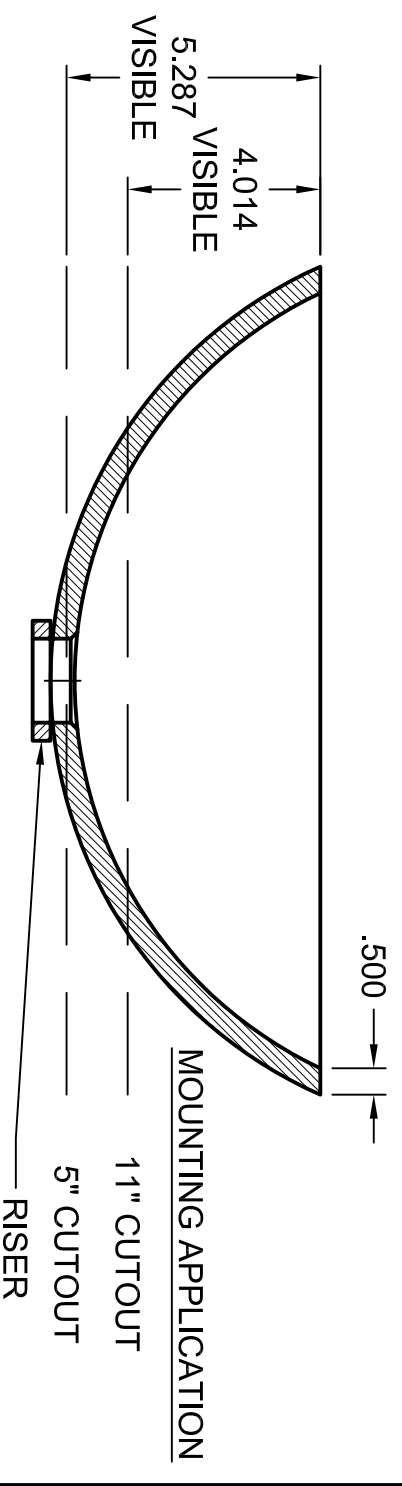
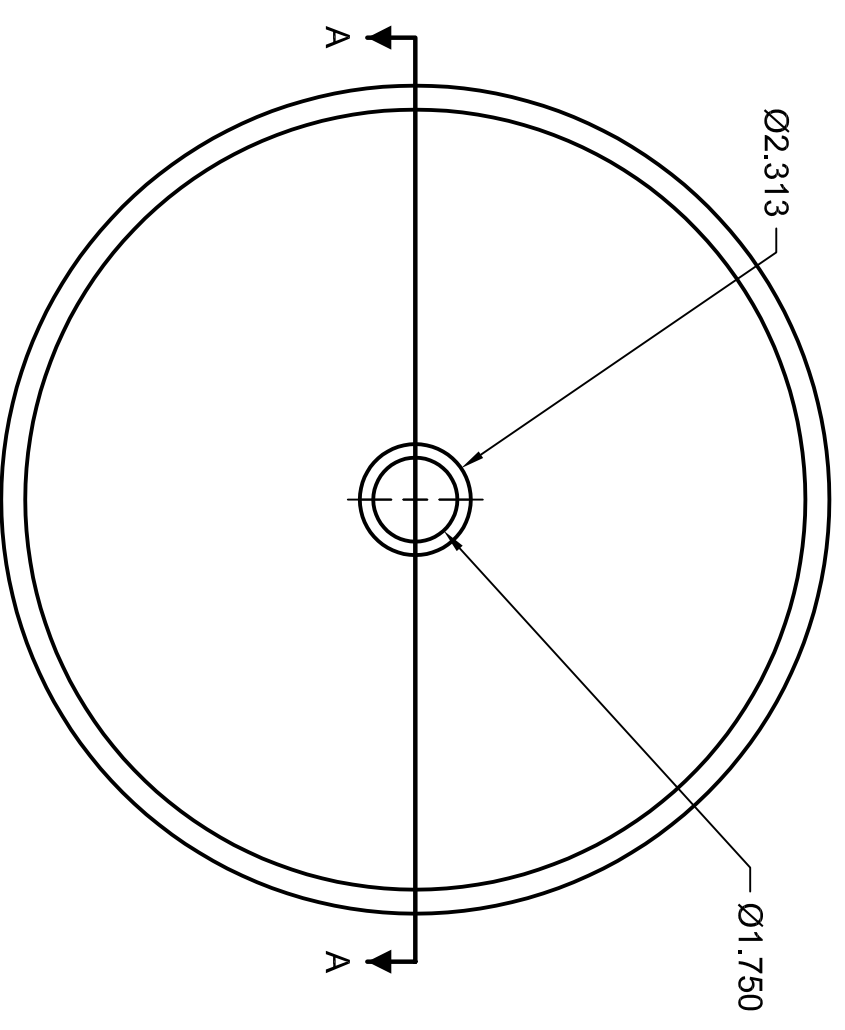
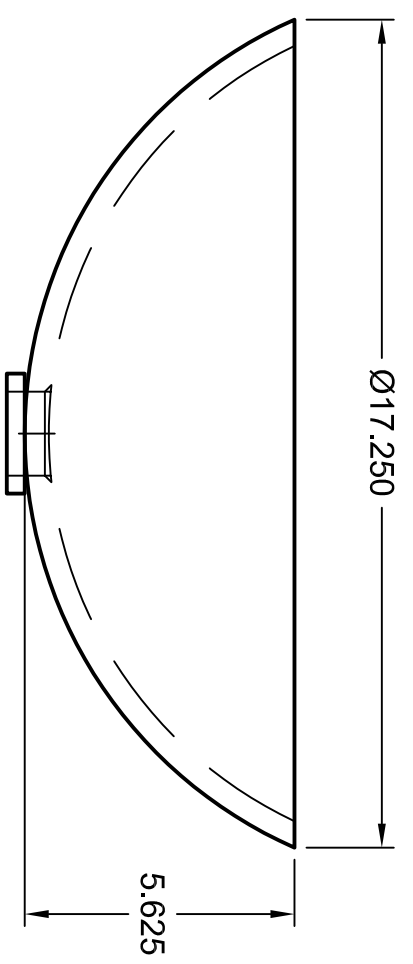


REVISIONS			
REV	DESCRIPTION	DATE	APPROVED

- NOTE:**
1. INTERPRET ALL DIMENSIONS ACCORDING TO ASME Y14.5M-1994 DRAWING STANDARDS.
  2. ALL DIMENSIONS ARE IN INCHES UNLESS OTHERWISE NOTED.
  3. UNLESS OTHERWISE NOTED BREAK SHARP EDGES .015.
  4. MATERIAL IS TEMPERED GLASS.



DETAIL A-A

DD-334	1	RISER	Ø2.5X3/8	ALLOY
DD-06	1	SLOPEDGED	Ø17.3X5.7	TMPRD GLASS
PT #	QNTY	DESCRP	SPEC	MATERIAL

BILL OF MATERIAL



UNLESS OTHERWISE NOTED  
 BREAK SHARP EDGES .015  
 STAMP DWG. NUMBER ON  
 ALL PARTS.  
 TOLERANCES:  
 .XXX ±.125      ANGLES:  
 ±.5°

DESIGNED	MONIERNEY	TITLE:
		VESSEL DD-06
		SCALE: 1:4
		CAD FILE: DD-06.dwg
		DWG. NO: 11072005-DD-06
		ISSUED 07/11/2005
		DATE: 07-11-2005