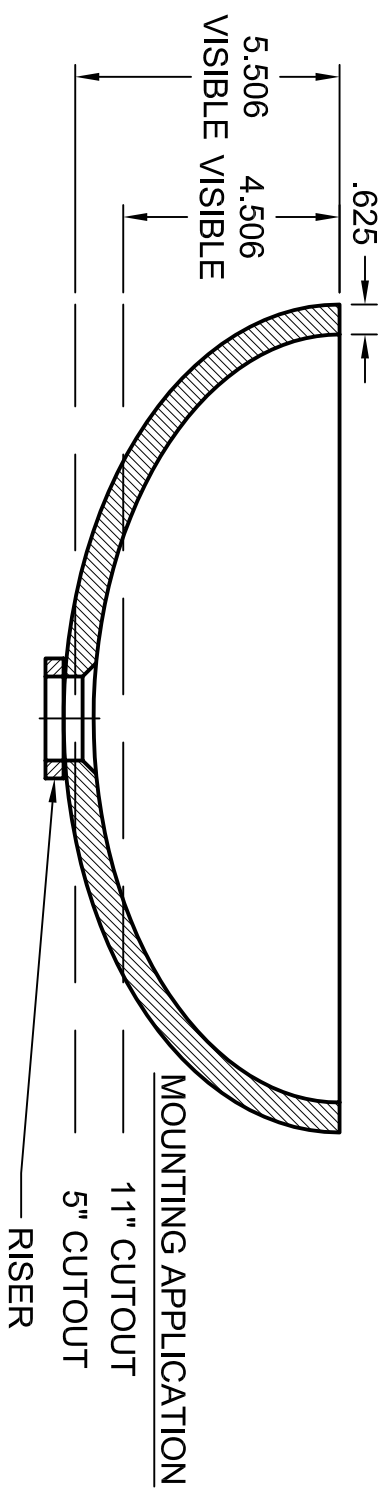
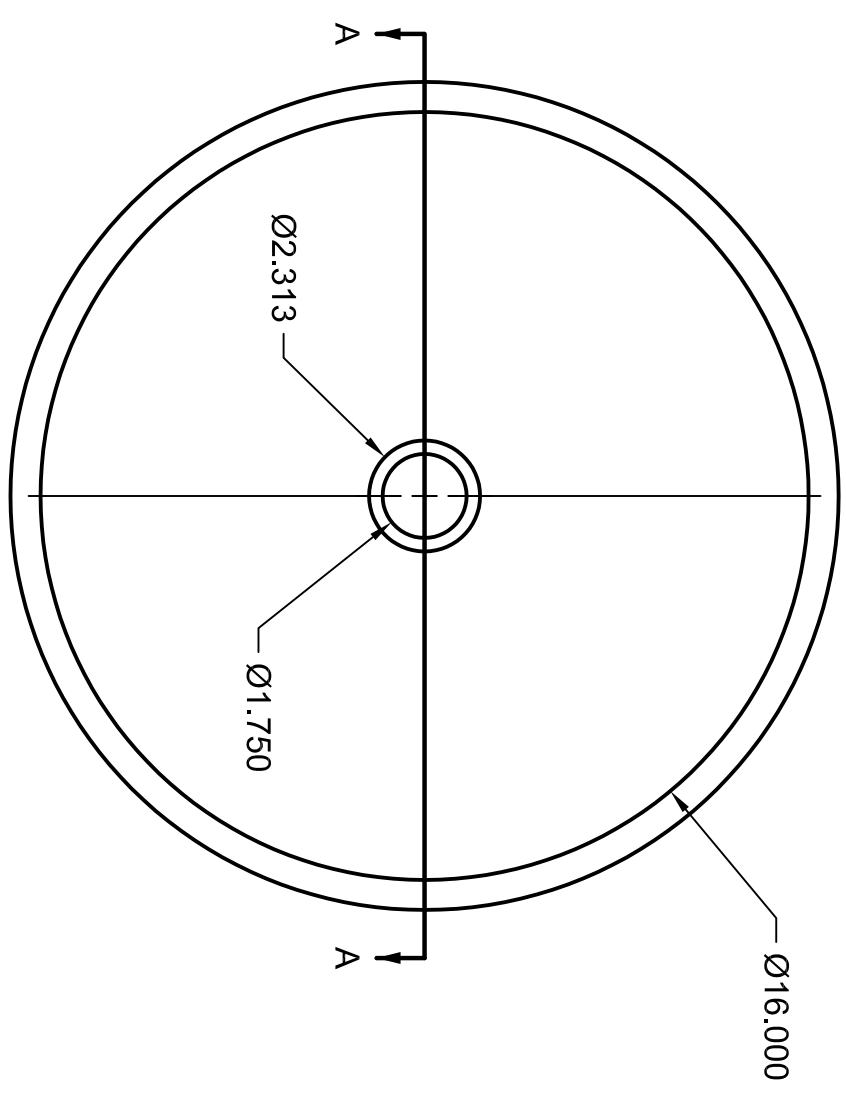
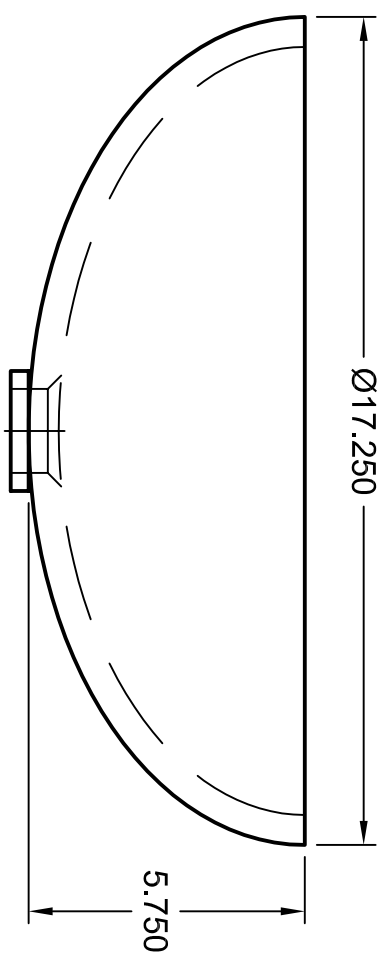


REVISIONS		
REV	DESCRIPTION	DATE

- NOTE:**
1. INTERPRET ALL DIMENSIONS ACCORDING TO ASME Y14.5M-1994 DRAWING STANDARDS.
  2. ALL DIMENSIONS ARE IN INCHES UNLESS OTHERWISE NOTED.
  3. UNLESS OTHERWISE NOTED BREAK SHARP EDGES .015.
  4. MATERIAL IS TEMPERED GLASS.



**DETAIL A-A**

DD-334	1	RISER	Ø2.5X3/8	ALLOY
DD-07	1	VESSEL	Ø17.25X5.75	TMPRD GLASS
PT #	QNTY	DESCRP	SPEC	MATERIAL
BILL OF MATERIAL				



UNLESS OTHERWISE NOTED  
 BREAK SHARP EDGES .015  
 STAMP DWG. NUMBER ON  
 ALL PARTS  
 TOLERANCES:  
 .XXX ±.125      ANGLES:  
 ±.5°

DESIGNED	MCNIERNY	TITLE:	VESSEL DD-07
DETAILED		SCALE:	1:4
TRACED		DEROSE DESIGNS	
CHECKED		CAD FILE:	DD-07.dwg
APPROVED		DWG. NO.:	14072005-DD-07
ISSUED	07/14/2005	DATE:	07-14-2005