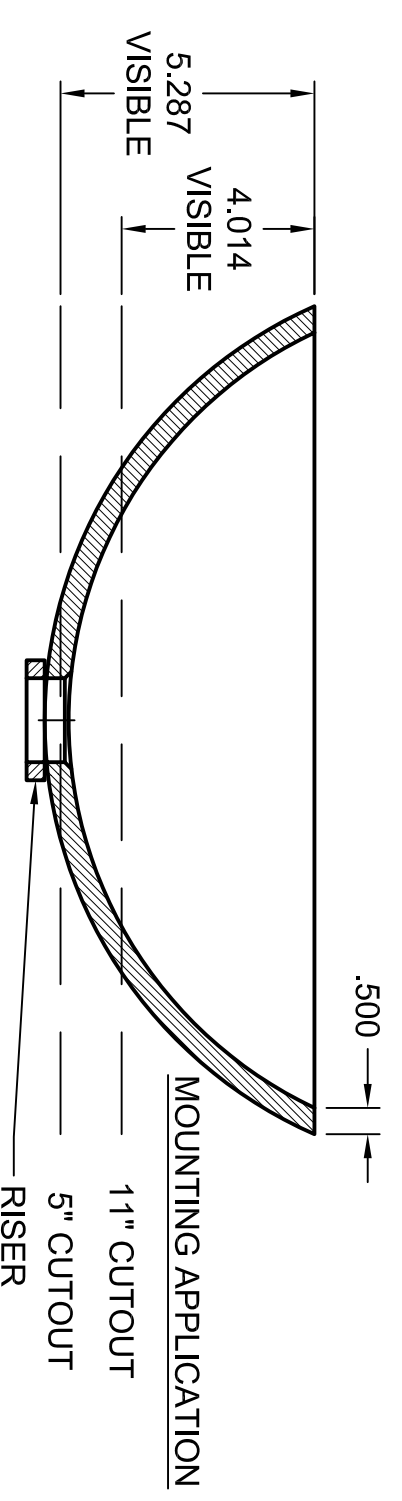
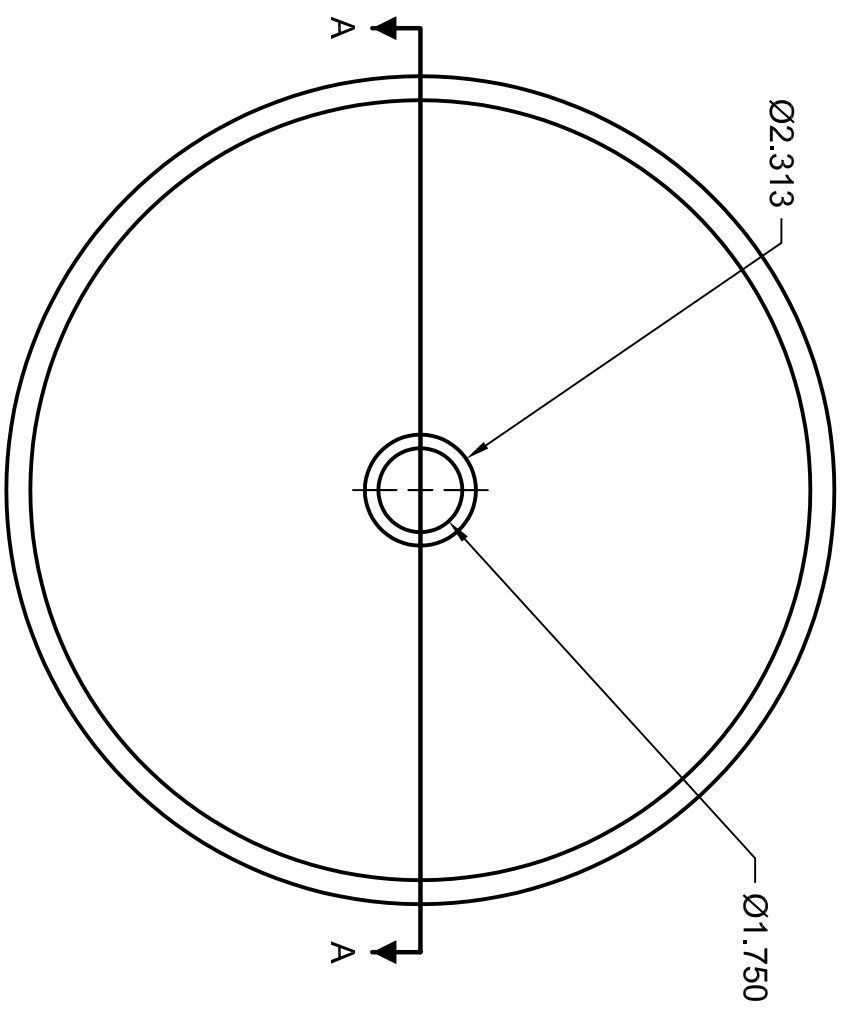
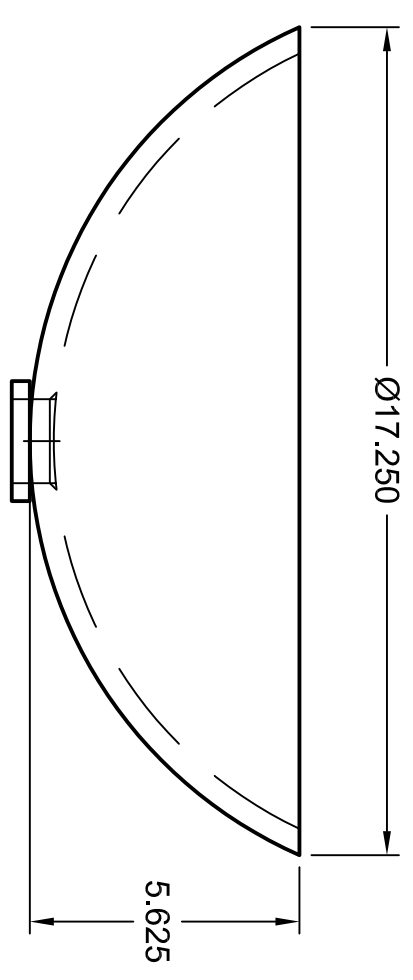


REVISIONS			
REV	DESCRIPTION	DATE	APPROVED

NOTE:
 1. INTERPRET ALL DIMENSIONS ACCORDING TO ASME Y14.5M-1994 DRAWING STANDARDS.
 2. ALL DIMENSIONS ARE IN INCHES UNLESS OTHERWISE NOTED.
 3. UNLESS OTHERWISE NOTED BREAK SHARP EDGES .015.
 4. MATERIAL IS ANNEALED GLASS.



DETAIL A-A

DD-334	1	RISER	Ø2.5X3/8	ALLOY
DD-12	1	SLOPEDGED	Ø17.3X5.7	ANNLD GLASS
PT #	QNTY	DESCRP	SPEC	MATERIAL

BILL OF MATERIAL



UNLESS OTHERWISE NOTED
 BREAK SHARP EDGES .015
 STAMP DWG. NUMBER ON ALL PARTS
 TOLERANCES: .xxx ±.125
 ANGLES: ±.5°

DESIGNED	MONIERNEY	TITLE:
		VESSEL DD-12
TRACED		SCALE: 1:4
CHECKED		DEROSE DESIGNS
APPROVED		CAD FILE: DD-12.dwg
ISSUED	07/11/2005	DWG. NO: 11072005-DD-12
	DATE: 07-11-2005	