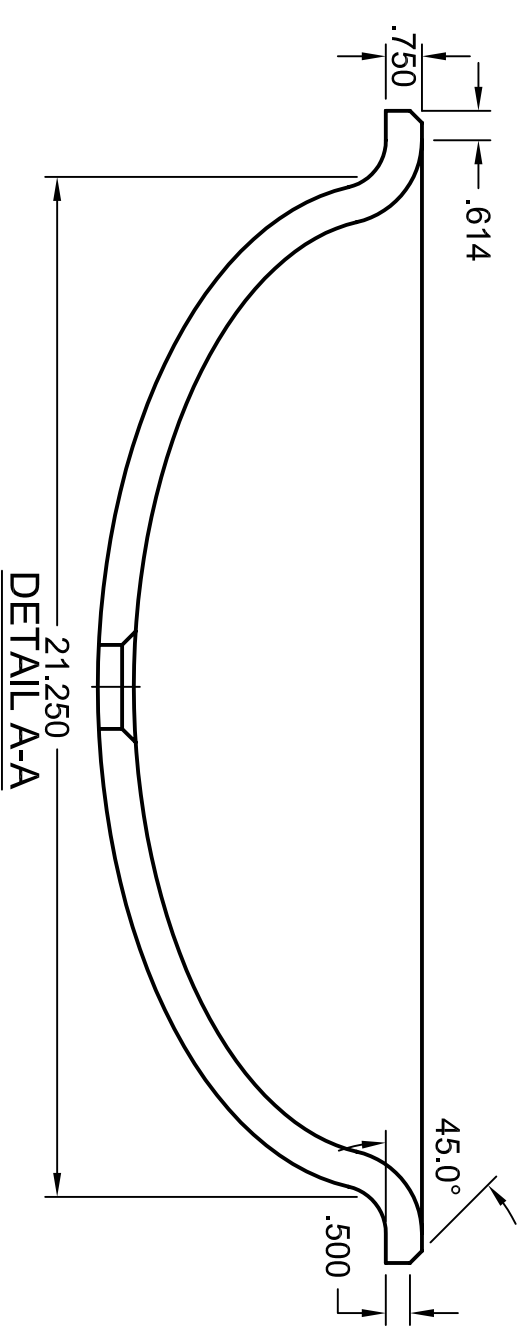
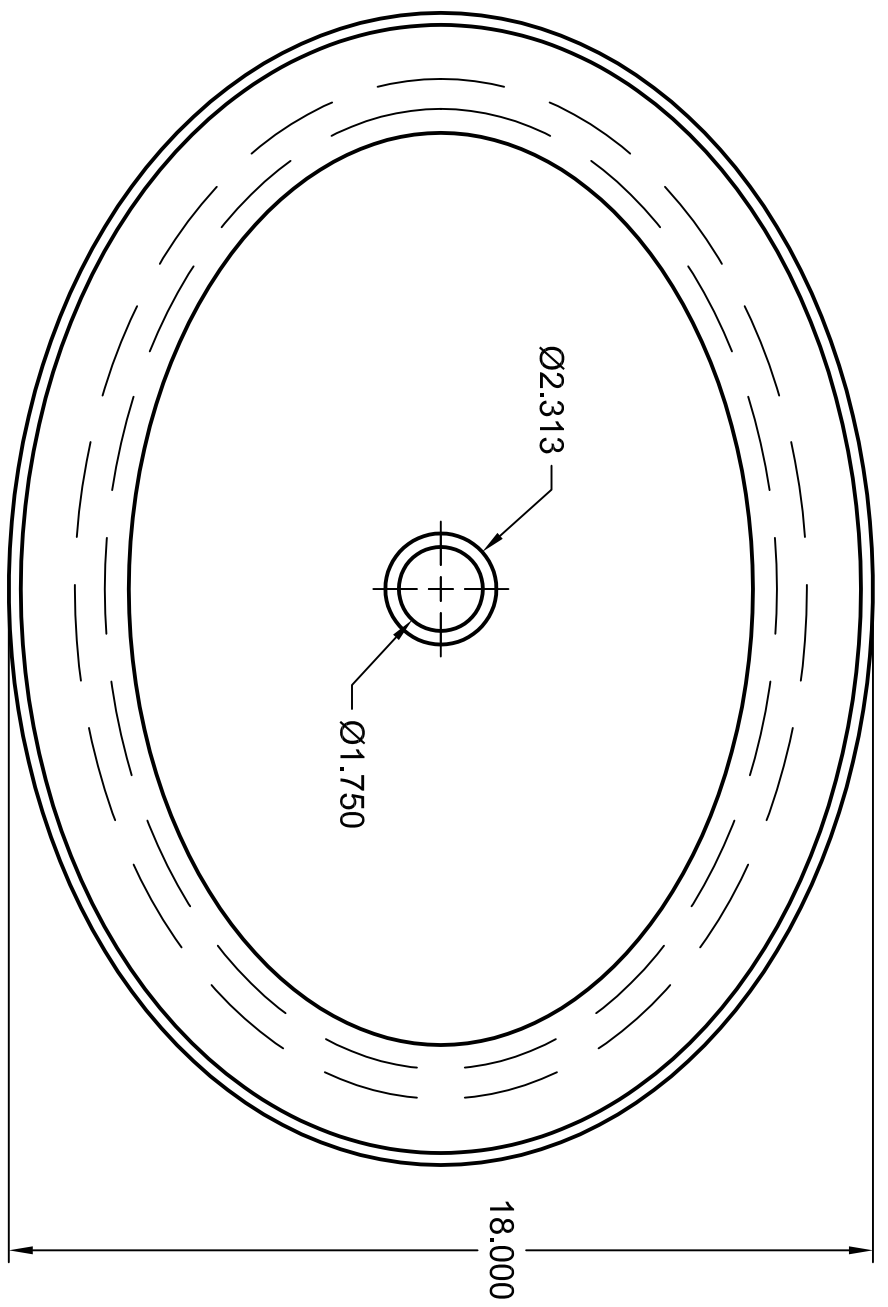
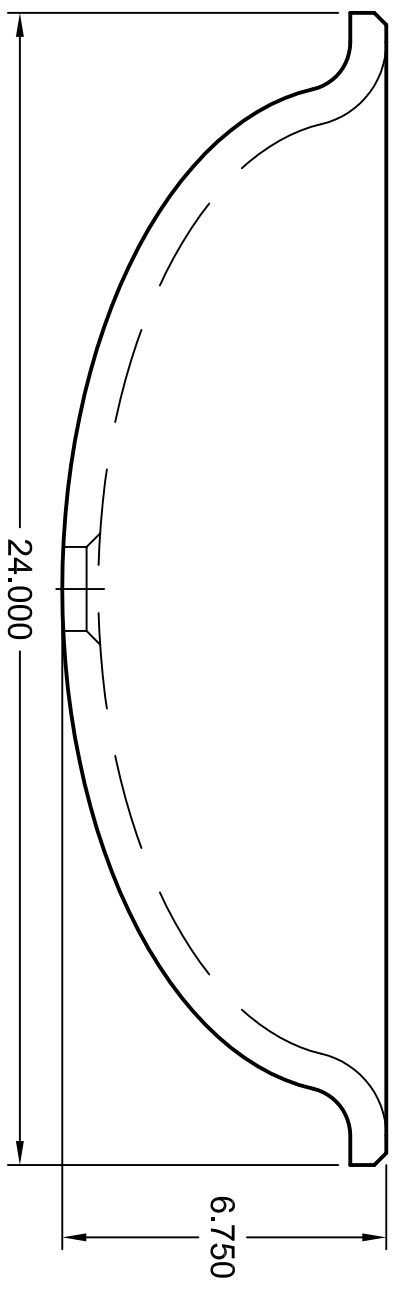


REVISIONS			
REV	DESCRIPTION	DATE	APPROVED

- NOTE:
1. INTERPRET ALL DIMENSIONS ACCORDING TO ASME Y14.5M-1994 DRAWING STANDARDS.
 2. ALL DIMENSIONS ARE IN INCHES UNLESS OTHERWISE NOTED.
 3. UNLESS OTHERWISE NOTED BREAK SHARP EDGES .015.
 4. MATERIAL IS ANNEALED GLASS.
 5. COUNTERTOP HOLE IS 22.773 X 16.723 OVAL SHAPED.



DD-30	1	VESSEL	18 X 24	ANNLD GLASS
PT #	QNTY	DESCRP	SPEC	MATERIAL
BILL OF MATERIAL				



UNLESS OTHERWISE NOTED
 BREAK SHARP EDGES .015
 STAMP DWG. NUMBER ON
 ALL PARTS
 TOLERANCES:
 .XXX ±.125 ANGLES:
 ±.5°

DESIGNED	MCNIERNY	TITLE:	VESSEL DD-30
DETAILED		SCALE:	1:8
TRACED		CAD FILE:	DD-30.dwg
CHECKED		DWG. NO.:	26072005-DD-30
APPROVED		DATE:	07-26-2005
ISSUED	07/26/2005		