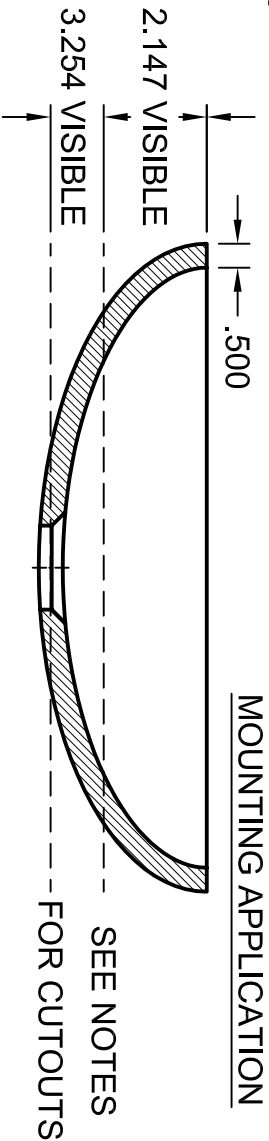
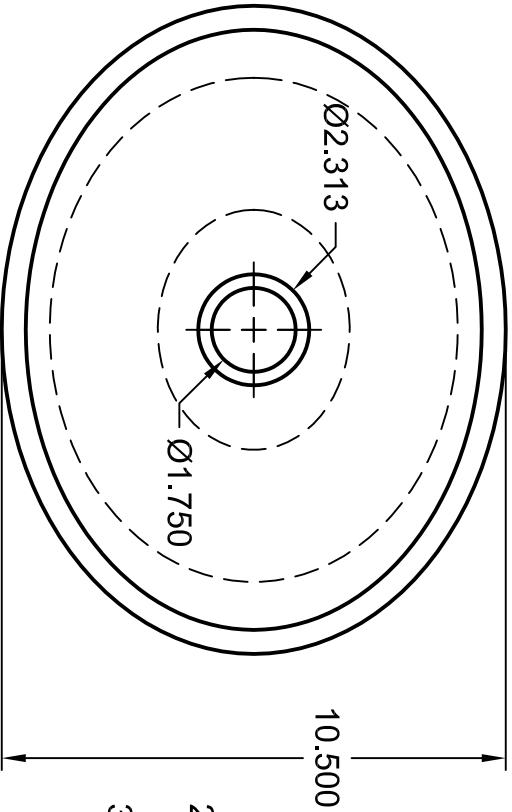
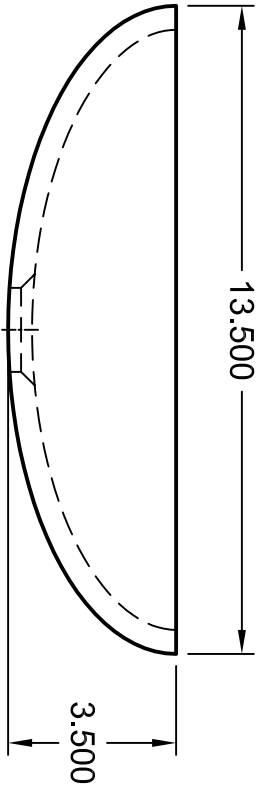


NOTE:

1. INTERPRET DIMENSIONS IN ACCORDANCE WITH ASME Y14.5M-1994 DRAWING STANDARDS.
2. ALL DIMENSIONS ARE IN INCHES UNLESS OTHERWISE NOTED.
3. UNLESS OTHERWISE NOTED BREAK SHARP EDGES .015.
4. MATERIAL IS TEMPERED GLASS.
5. 11" CUTOUT IS 10.5 X 8.5 OVAL SHAPED.
6. 5" CUTOUT IS 5 X 4 OVAL SHAPED.



DETAIL A-A

REVISIONS		
REV	DESCRIPTION	DATE

DD-37	1	VESSEL	13.5 X 10.5	TMPRD GLASS
PT #	QNTY	DESCRP	SPEC	MATERIAL
BILL OF MATERIAL				

TOLERANCES:
XXX ±.125
ANGLES:
±.5°



DESIGNED	MCNIERNEY	TITLE:	VESSEL DD-37-MINI
DETAILED		SCALE:	1:4
TRACED		CAD FILE:	DD-37.dwg
CHECKED		DWG. NO.:	26072005-DD-37
APPROVED		DATE:	07-26-2005
ISSUED	07/26/2005		