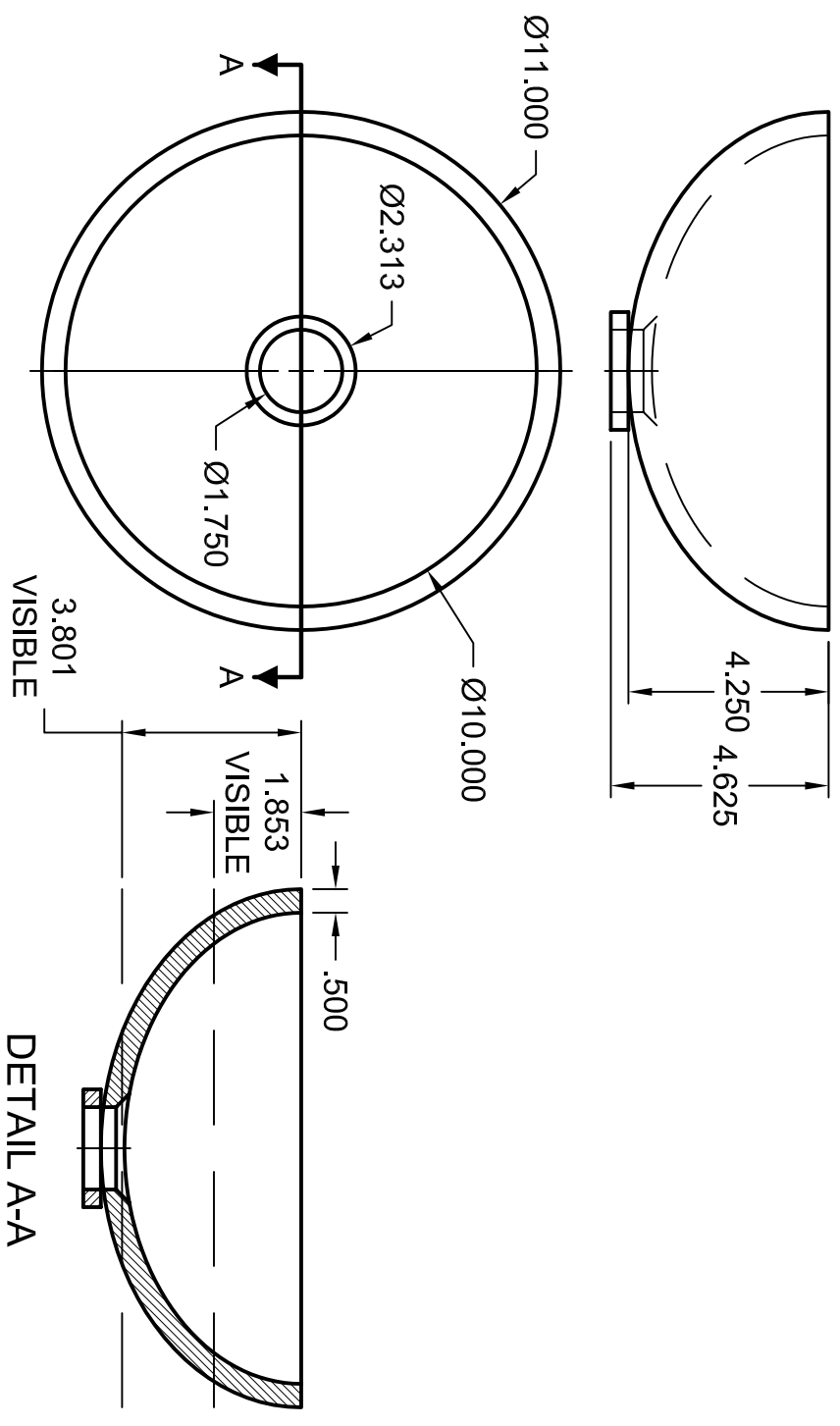


REVISIONS			
REV	DESCRIPTION	DATE	APPROVED

- NOTE:
1. INTERPRET ALL DIMENSIONS ACCORDING TO ASME Y14.5M-1994 DRAWING STANDARDS.
 2. ALL DIMENSIONS ARE IN INCHES UNLESS OTHERWISE NOTED.
 3. UNLESS OTHERWISE NOTED BREAK SHARP EDGES .015.
 4. MATERIAL IS TEMPERED GLASS.



MOUNTING APPLICATION

11" CUTOUT
5" CUTOUT

PT #	QNTY	DESCRP	SPEC	MATERIAL
DD-39	1	VESSEL	Ø11 X 4.25	TMPRD GLASS
PT #	QNTY	DESCRP	SPEC	MATERIAL

BILL OF MATERIAL



UNLESS OTHERWISE NOTED
BREAK SHARP EDGES .015
STAMP DWG. NUMBER ON
ALL PARTS.
TOLERANCES:
.XXX ±.125 ANGLES:
±.5°

DESIGNED	MONITERNEY	TITLE:
		VESSEL DD-39-MINI
TRACED		SCALE: 1:4
CHECKED		DEROSE DESIGNS
APPROVED		DWG. NO: 27072005-DD-39
ISSUED	07/27/2005	DATE: 07-27-2005