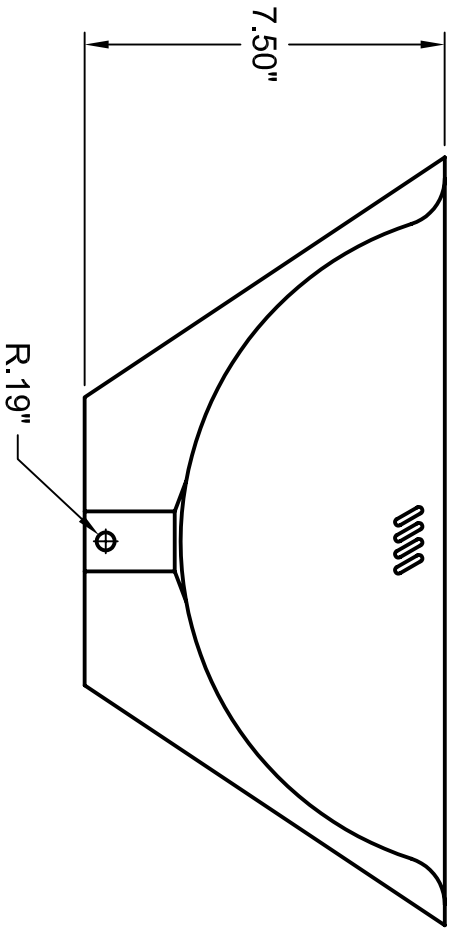
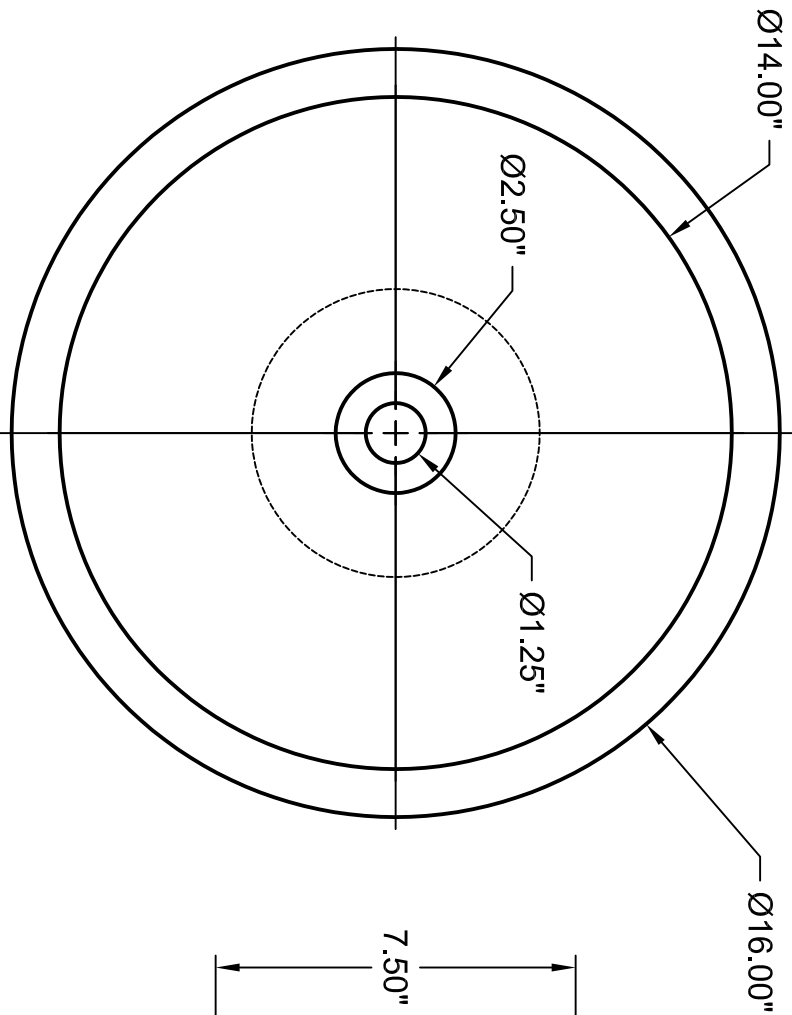


NOTE:
MATERIAL IS POLISHED STAINLESS STEEL.



REVISIONS			
REV	DESCRIPTION	DATE	APPROVED



1524 ENTERPRISE ROAD
CORRY, PA 16407
(814)664-2100
(814)664-2400

UNLESS OTHERWISE NOTED
BREAK SHARP EDGES .015
STAMP DWG. NUMBER ON
ALL PARTS.
TOLERANCES: ANGLES:
.X ±.015 ±.5°
.XX ±.010
.XXX ±.005

DESIGNED	MCNIERNY	TITLE:	CAD FILE:
		DD-421	
		SCALE: 1:4	
		DEROSE DESIGNS	
		DATE: 7-30-2006	