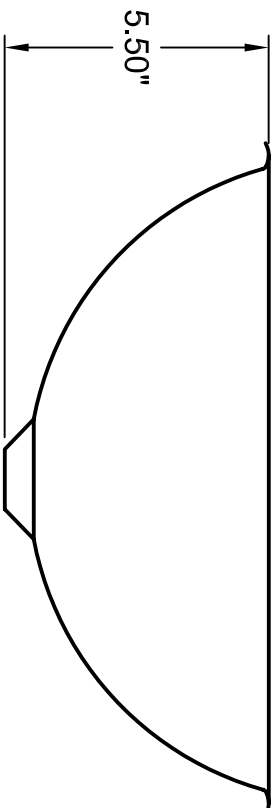
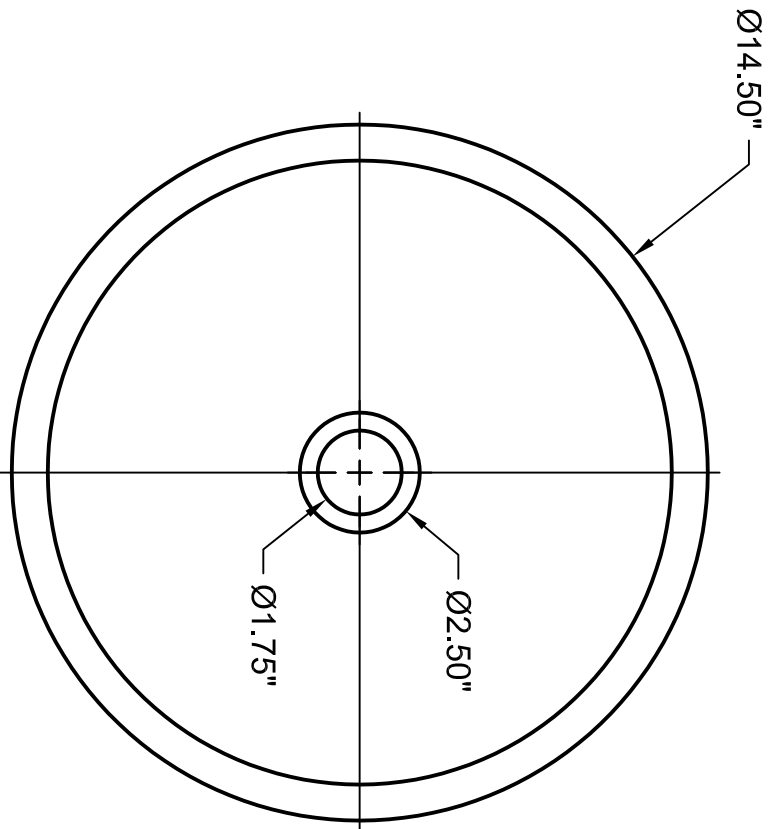


NOTE:
MATERIAL IS STAINLESS STEEL.



REVISIONS		
REV	DESCRIPTION	DATE



1524 ENTERPRISE ROAD
CORR, PA 16407
(814)664-2100
(814)664-2400

UNLESS OTHERWISE NOTED
BREAK SHARP EDGES .015
STAMP DWG. NUMBER ON
ALL PARTS.
TOLERANCES: .X ±.015 ANGLES: ±.5°
.XX ±.010
.XXX ±.005

DESIGNED	MCNIERNEY	TITLE:	CAD FILE:
		DD-422	
		SCALE: 1:4	
		DEROSE DESIGNS	
		DATE: 7-30-2006	
			DWG. NO: